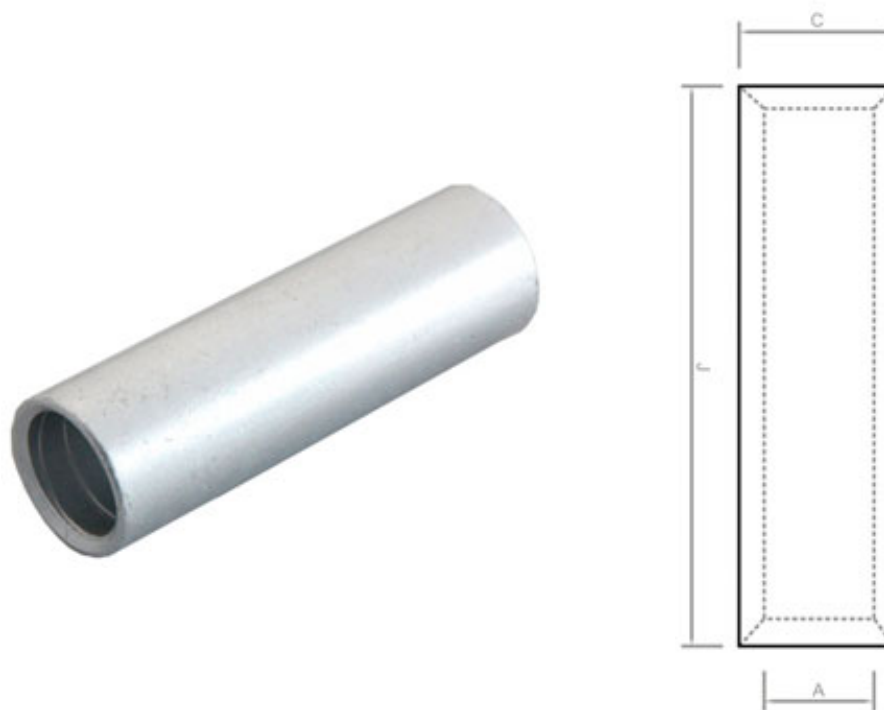


Products

- :: Brass BW 2 Parts Cable Glands
- :: Brass BW3 Parts Cable Glands
- :: Brass CW Cable Glands
- :: Brass CX Type Cable Glands
- :: Brass A2 Type Cable Glands
- :: Brass E1W Cable Glands
- :: Brass CXT Cable Glands
- :: Brass Marine Cable Glands
- :: Brass Metric Strain Relief Cable Glands
- :: Brass Wiping Cable Glands
- :: Brass PG Cable Glands
- :: Brass Cable Glands Accessories

Aluminium Crimping In Line Connectors



- COPPER LUGS & CABLE TERMINAL FROM 1.5 TO 1000 MM2 WITH DIFFERENT STUD HOLE SIZES AS REQUIRED.
- RAW MATERIAL GRADE ELECTROLYTIC AS PER IS 5082.

Products

- :: Brass Flexible Conduit Fittings Cable Glands
- :: Brass Lock Nuts
- :: Brass Stop Plugs Blind Plugs
- :: Brass Thread Reducers Enlargers Converters
- :: Copper Cable Lugs and Terminals
- :: Conduit Fittings Accessories
- :: Rubber Grommets For Conduit Boxes
- :: Brass Cable Gland Selection Chart
- :: Brass Neutral Links Neutral Bars
- :: Brass Terminal Blocks
- :: Brass Terminals Terminal Bars

ALUMINIUM CRIMPING IN LINE CONNECTORS

| CAT.NO | AREA MM2 | DIMENSIONS (MM2) | | |
|---------|----------|------------------|-----|----|
| | | A | C | J |
| ZAC-145 | 2.5 | 2 | 5.5 | 16 |
| ZAC-6 | 2.5 | 2.6 | 5.5 | 16 |
| ZAC-5 | 4 | 2.9 | 5.5 | 16 |

| | | | | |
|---------|------|------|------|-----|
| ZAC-13 | 6 | 3.5 | 5.5 | 16 |
| ZAC-146 | 10 | 3.8 | 6.2 | 20 |
| ZAC-14 | 10 | 4.4 | 7.4 | 20 |
| ZAC-4 | 16 | 5.4 | 8.3 | 26 |
| ZAC-3 | 25 | 7 | 9.7 | 35 |
| ZAC-2 | 35 | 8 | 10.8 | 40 |
| ZAC-12 | 50 | 9.3 | 13.0 | 45 |
| ZAC-1 | 70 | 11.6 | 16.0 | 55 |
| ZAC-15 | 95 | 12.9 | 17.1 | 60 |
| ZAC-9 | 120 | 15 | 19.0 | 65 |
| ZAC-10 | 150 | 16.5 | 21.2 | 70 |
| ZAC-11 | 185 | 18.5 | 24.0 | 75 |
| ZAC-147 | 225 | 21 | 27.0 | 85 |
| ZAC-16 | 240 | 22 | 28.6 | 90 |
| ZAC-17 | 300 | 24 | 31.0 | 100 |
| ZAC-18 | 400 | 28 | 36.0 | 115 |
| ZAC-19 | 500 | 31 | 41.0 | 125 |
| ZAC-20 | 625 | 36 | 46.0 | 140 |
| ZAC-148 | 800 | 39 | 51 | 160 |
| ZAC-149 | 1000 | 43.5 | 57.0 | 210 |

Brass Cable Glands India

Click Here to Visit Our Website : www.cable-glands-brass.com

**Plot 10 - B GIDC Industrial Estate,
Jamnagr, Gujarat 361005 India.**

Tel No : +91-22- 43449300, +91-22- 43449323

Fax No : +91- 22-22834046, +91-22- 40023682